



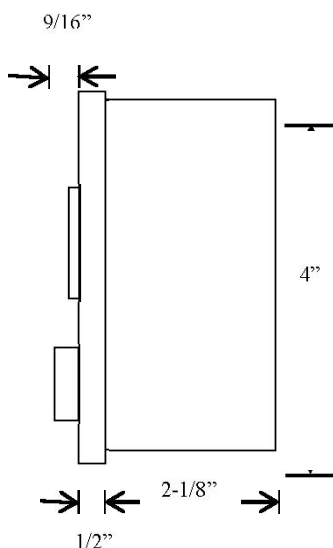
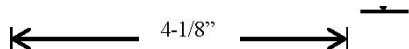
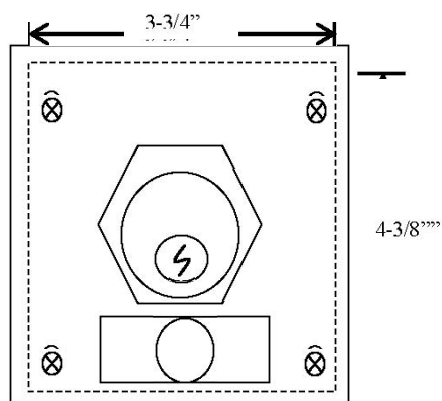
# 1KXS

## KEYED CONTROL

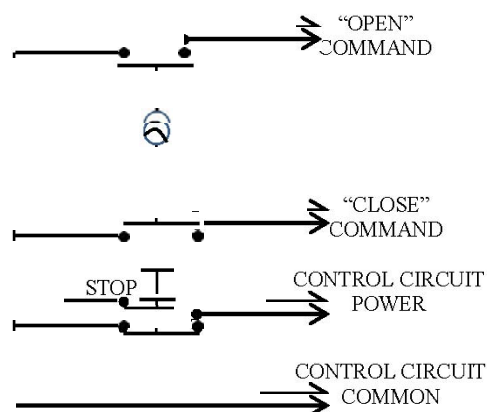
- NEMA 3R, 4, 12
- SURFACE MOUNT
- TAMPER-PROOF
- TWO POSITION (OPEN-CLOSE) WITH STOP BUTTON
- CENTER RETURN
- ALUMINUM DIE CAST ENCLOSURE
- CYLINDER: MORTISE TYPE (5 PIN)  
1-1/8" DIAMETER X 1" LENGTH
- KEYSWITCH: 15 amp @ 125/250VAC

AVAILABLE WITH BEST CORE CYLINDER OR EQUIVALENT, SLF TYPE LARGE FORMAT EQUIVALENT, CC (CHANGEABLE CYLINDER) VERSION

## DIMENSIONS



## WIRING



www.stardoorparts.com  
(952) 818-6633  
sales@stardoorparts.com